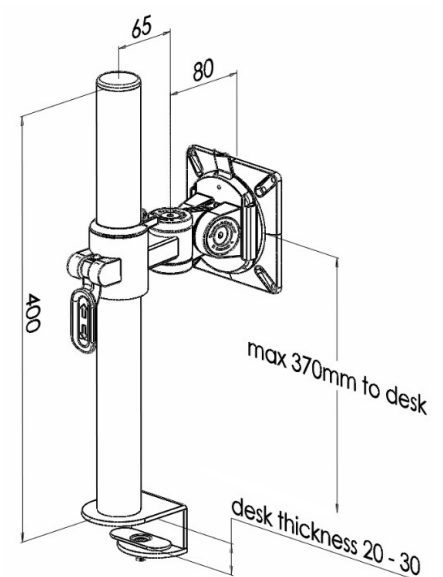


# XSTREAM single monitor knuckle with baby-c clamp post



## Product Specification

Product code	XSTREAMPMCOMB05W - white
Weight capacity	10kg
VESA	75mm & 100mm VESA compliant
Maximum Screen Size	30"
Movement	Height adjustment, tilt, swivel, rotation
Height adjustment	Max height adjustment 370mm from desk top
Fixings	Supplied with post suitable for bespoke fixings

## Additional Information

Single monitor knuckle with manual height adjustment

Additional +/- 70mm available with ratchet mechanism

Lockable quick release VESA function

Ideal for reception or POS areas

Silver – XSTREAMPMCOMB05S - RAL code 9006

White – XSTREAMPMCOMB05W - RAL code 9010

Black – XSTREAMPMCOMB05B - RAL code 9005



**Ergo**  
01235 773373  
[www.ergold.co.uk](http://www.ergold.co.uk)  
[sales@ergold.co.uk](mailto:sales@ergold.co.uk)